

Nuvo-8208GC

Ruggedized AI Inference Platform

Neosys Technology



Agenda

- Neousys Edge AI GPU Computing
- Nuvo-8208GC: Highest Performance
- Nuvo-8208GC: All Front Accessible I/O
- Nuvo-8208GC Expansion
- Nuvo-8208GC Storage
- Selling Points and Action

GPU Application is Booming!

www.neousys-tech.com

- AI, Deep Learning, Machine Learning, etc....



- Vision: Image Analysis and Decision Making
- Security: Face and Object Recognition
- Automation: Factory Data Processing
- Intelligent Transportation, Autonomous Vehicle

Neousys Edge AI GPU Computing

www.neousys-tech.com

120 Watt GPU
GTX 1050 Ti, GTX 1660 Ti



Nuvo-7160GC

Tesla Series
Tesla T4/P4 GPU



Nuvo-7164GC

250 Watt GPU
GTX 1080 Ti



Nuvo-6108GC

System could operate normally at $-25^{\circ}\text{C} \sim 60^{\circ}\text{C}$
With **CPU + GPU** 100% full loading!!

Neousys Edge AI GPU Computing

www.neousys-tech.com

250 Watt GPU
RTX 2080 Ti



250 Watt GPU
RTX 2080 Ti



World First
Industrial Box PC
supports Dual GPU



Nuvo-8208GC

System could operate normally at $-25^{\circ}\text{C} \sim 60^{\circ}\text{C}$

With **CPU + GPU + GPU** 100% full loading!!

Nuvo-8208GC: Highest Performance

www.neousys-tech.com

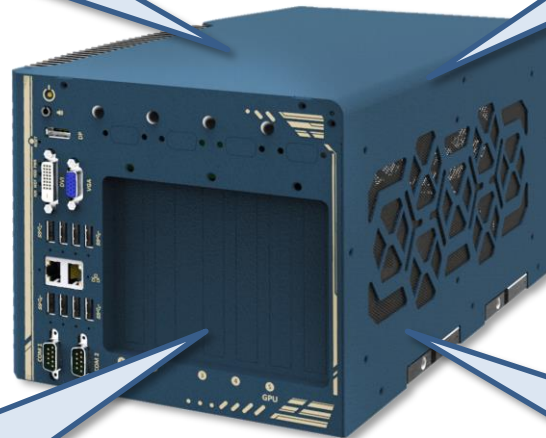
250 Watt GPU
RTX 2080 Ti

250 Watt GPU
RTX 2080 Ti



Latest 8th Generation
Xeon and Core i CPU

Powerful GPU
By Dual GPU cards



Support **ECC** Memory
4 slots up to 128GB

Support NVMe SSD
4 times faster than SATA SSD

Nuvo-8208GC: All Front Accessible I/O

www.neousys-tech.com

4 x reserved opening for **DB9 connectors**
(ex: CAN bus, analog frame grabber)

Three independent video

1 x VGA, 1 x DVI, 1 x DisplayPort

Lockable connectors

- 8 x USB ports
- 2 x Ethernet ports

2 x RS-232/422/485
(software configurable)



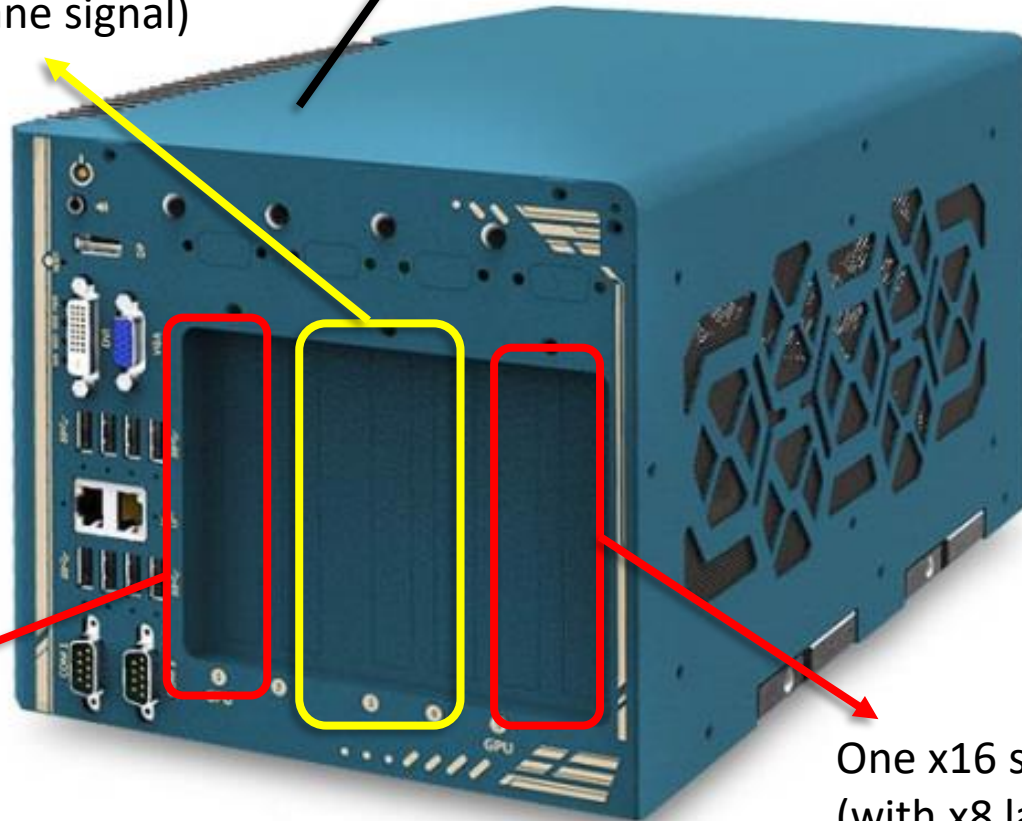
Nuvo-8208GC Expansion

Three additional PCIe slots:

- ✓ Two x8 slot (with x4 lane signal)
- ✓ One x4 slot (with x1 lane signal)

Internal:

- ✓ One M.2 socket supporting dual SIM
- ✓ Two mini-PCIe slots



One x16 slot
(with x8 lane signal)
For GPU card 1

One x16 slot
(with x8 lane signal)
For GPU card 2

Nuvo-8208GC Storage

www.neousys-tech.com



Internal:

1 x M.2 NVMe SSD (4 times faster than SATA SSD)
2 x full-size mSATA

External:

2 x hot-swappable HDD trays
for 2.5" SATA HDD/SSD
(RAID 0/1 support)

Selling Points and Action Items

■ Selling Points:

- ✓ World first box PC supporting dual 250 watt GPU
- ✓ Patented thermal design for -25°C to 60°C operation with CPU and GPU 100% loading
- ✓ 3 x additional PCIe slots of more functionality expansion (camera link, 10GigE, motion control, digital I/O, etc.)
- ✓ Robust design: lockable USB/Ethernet, damping bracket, card holder

■ Action Items

- Buying one sample for demo
- Nuvo-8208GC shown on website
- Marketing promotion plan



We Create Featured Products

Taipei | Shanghai | Chicago

Design for In-vehicle Application

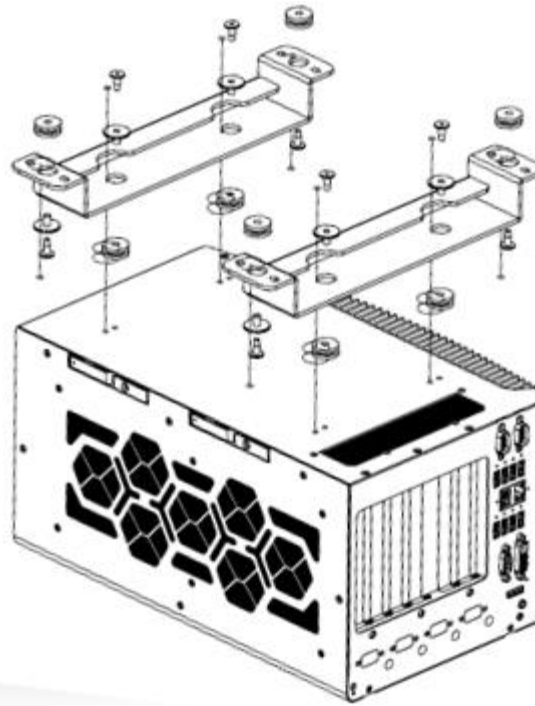
www.neousys-tech.com



4 x DB9 Connectors
for CAN bus

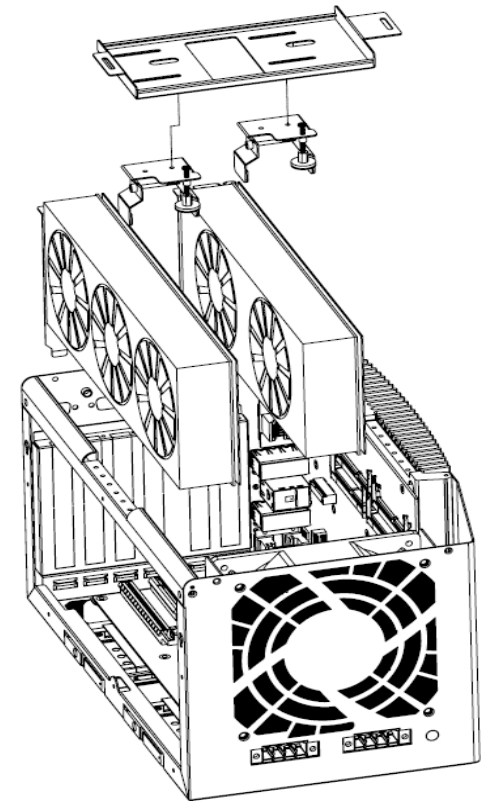


8 – 48 VDC Power Input
Built-in Ignition Control



Patented Damping Bracket

Vibration duration: **Operating,**
1 Grms, 5-500 Hz, 3 Axes
(With GPU cards, system fan
and HDD installed)



Patented
GPU Holder

Application Sharing

www.neousys-tech.com



Autonomous Driving



Land / Offshore Drilling Rig